

---

## TECHNICAL SERVICE BULLETIN

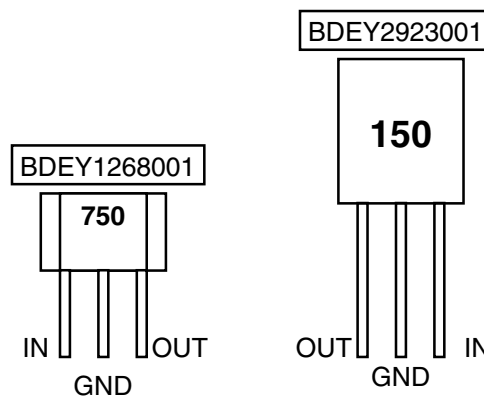
**TO:** All Uniden Private Radio Communication Dealers,  
Distributors and Warranty Service Stations

**REFERENCE:** BDEY2923001

**SUBJECT:** PART SUBSTITUTION FOR BDEY1268001 TSB226

---

**GENERAL:** When you place an order for BDEY1268001, you will receive the replacement part BDEY2923001. This part has different characteristics, so care must be taken as to how it is installed. The pin out is as follows:



**NOTE:** When using BDEY2329001 add a 3.3 ufd 10V tant across D601.

